

PRECAST CATCH BASIN 115 mm Wall - 610 mm Square

OPSD Ref: 705.02

CONSTRUCTION DETAILS

Concrete: 35 MPa at 28 Days, 5 to 8% Air Entrainment.

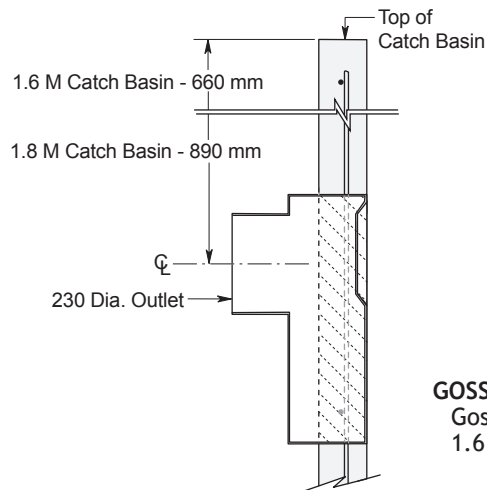
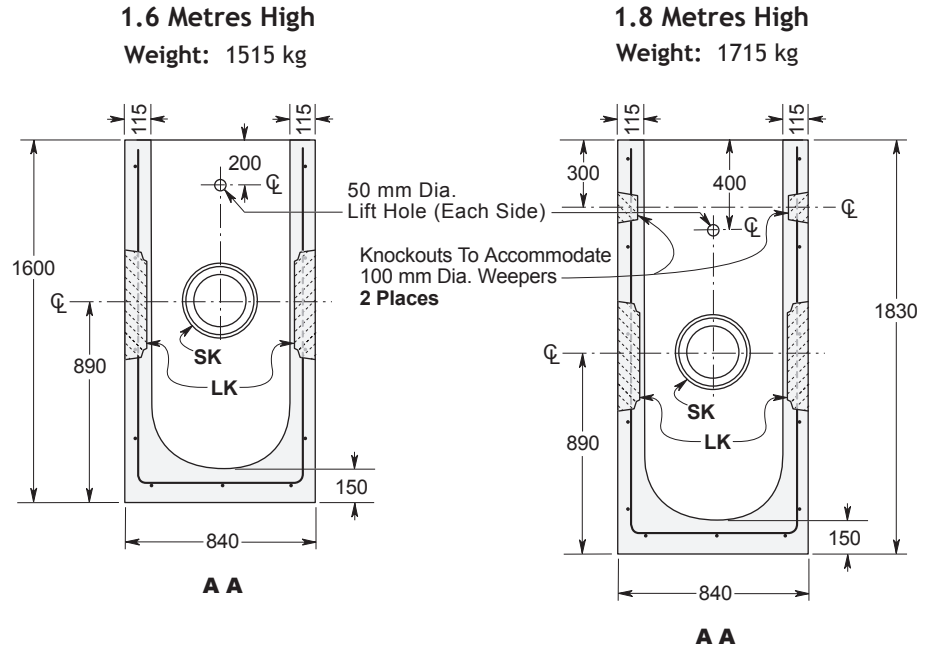
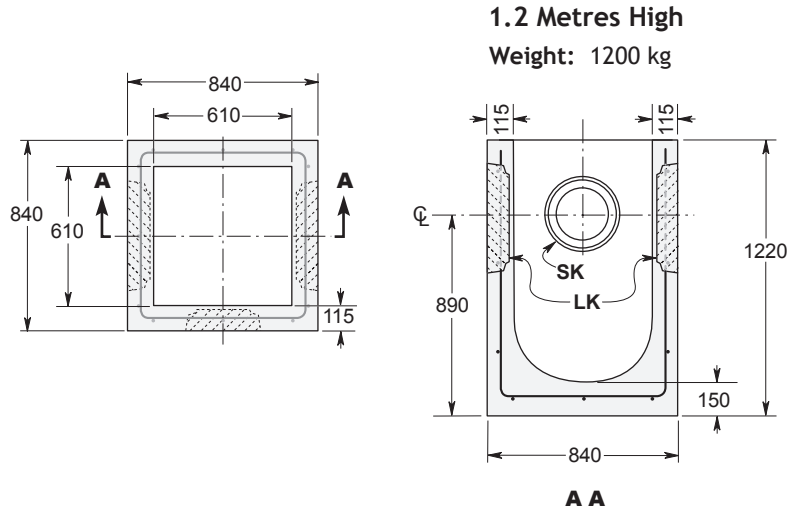
Reinforcing: 10 M bars, cross-sectional area of steel greater than 185 mm²/ M each way.

WILKINSON HEAVY PRECAST LIMITED

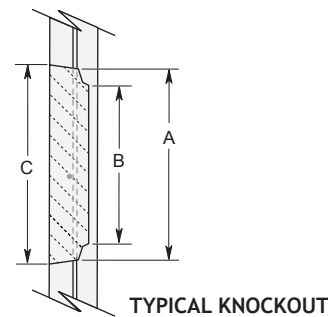
DUNDAS, ONTARIO

905-628-5611

www.wilkinsonheavyprecast.com



GOSS TRAP (Polyethylene)
Goss traps are available cast into 1.6 and 1.8 metre Catch Basins.



Knockout Dimensions			
	A	B	C
Large (LK)	450	380	490
Small (SK)	300	220	340

Dimensions in mm
N.T.S.