

PRECAST DITCH INLET CATCH BASIN (Single) O.P.S.D. Ref. 705.03

WILKINSON HEAVY PRECAST LIMITED

DUNDAS, ONTARIO

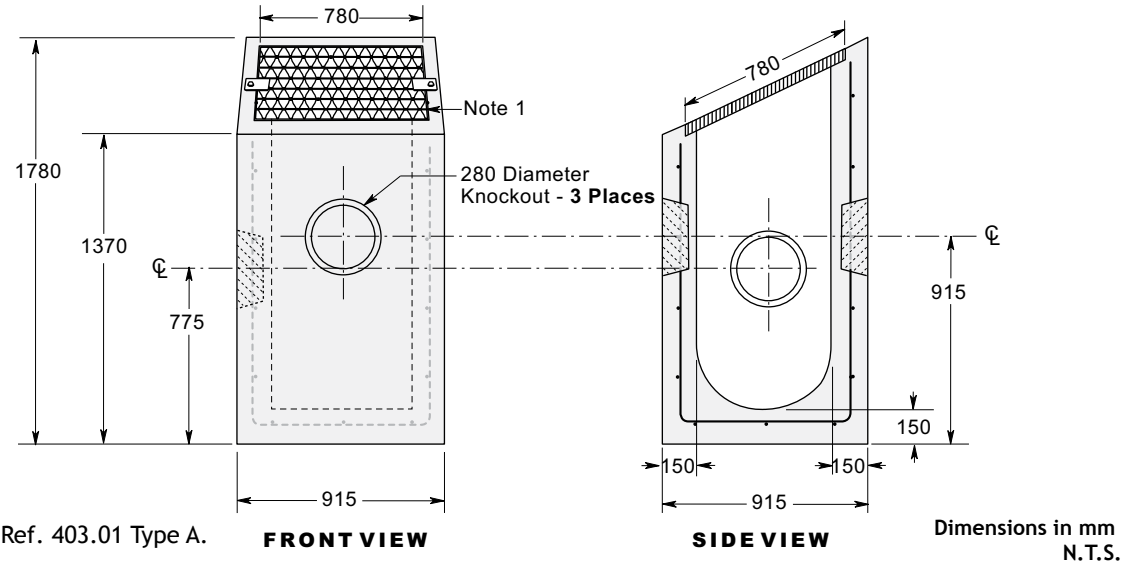
1-800-263-8503

CONSTRUCTION DETAILS

Concrete: 35 MPa at 28 Days, 5 to 8% Air Entrainment.

Reinforcing: 10 M bars, cross-sectional area of steel greater than 185 mm²/ M each way.

Weight: 2125 kg



NOTES:

1. Available with hot dipped galvanized grate and fasteners - O.P.S.D. Ref. 403.01 Type A.

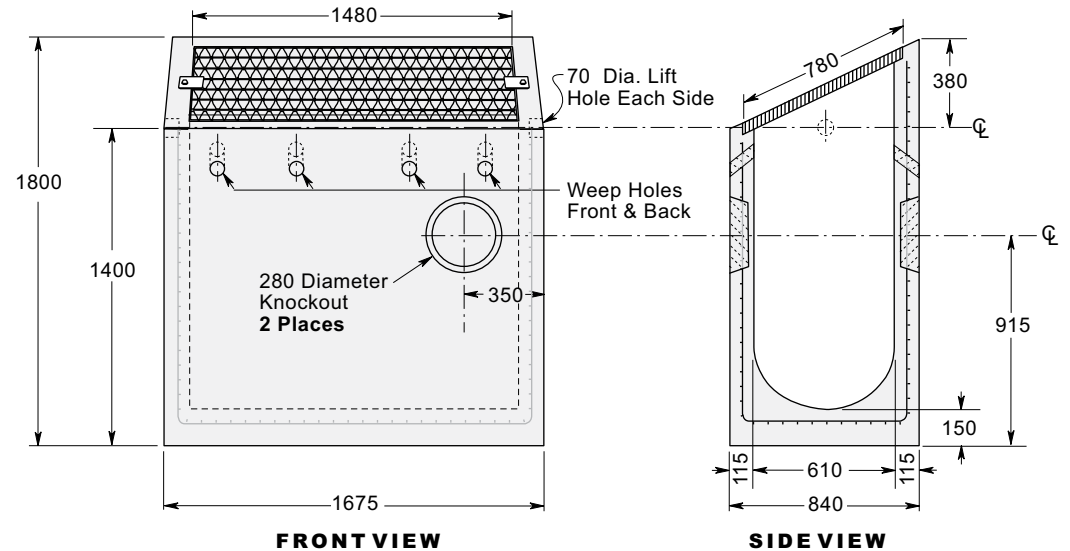
PRECAST DITCH INLET CATCH BASIN (Double) O.P.S.D. Ref. 705.04

CONSTRUCTION DETAILS

Concrete: 35 MPa at 28 Days, 5 to 8% Air Entrainment.

Reinforcing: 4 x 4 6/6 ww mesh in walls and floor.

Weight: 2600 kg



NOTES:

1. Available with hot dipped galvanized grate and fasteners - O.P.S.D. Ref. 403.01 Type A.