

PRECAST CATCH BASIN 115 mm Wall - 610 mm Square

WILKINSON HEAVY PRECAST LIMITED

DUNDAS, ONTARIO

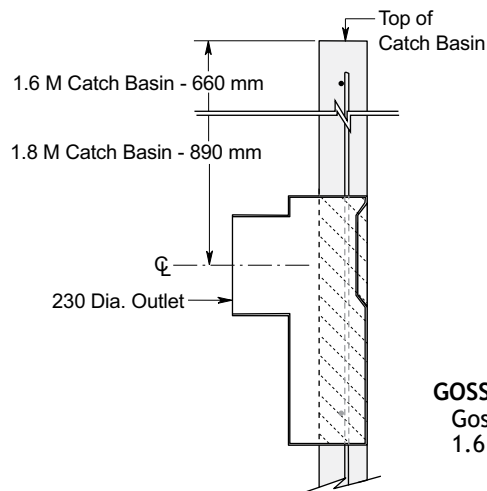
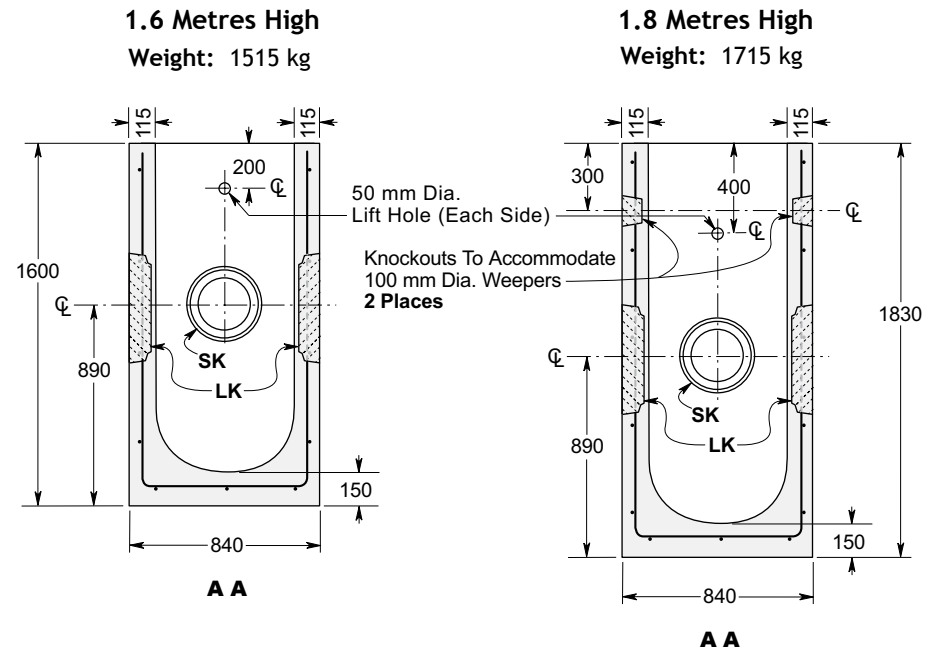
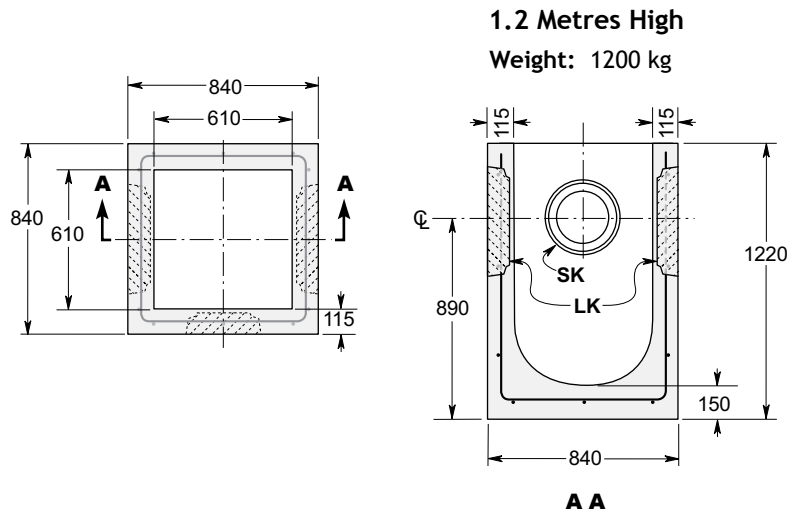
1-800-263-8503

OPSD Ref: 705.01

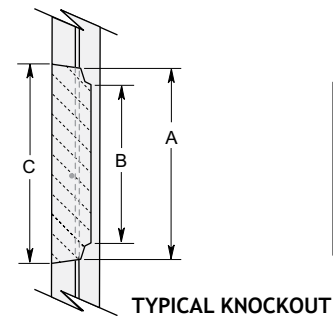
CONSTRUCTION DETAILS

Concrete: 35 MPa at 28 Days, 5 to 8% Air Entrainment.

Reinforcing: 10 M bars, cross-sectional area of steel greater than 185 mm²/ M each way.



GOSS TRAP (Polyethylene)
Goss traps are available cast into 1.6 and 1.8 metre Catch Basins.



<i>Knockout Dimensions</i>			
	A	B	C
Large (LK)	450	380	490
Small (SK)	300	220	340

Dimensions in mm
N.T.S.