

**PRECAST DITCH INLET CATCH BASIN (Single) O.P.S.D. Ref. 705.04**

**WILKINSON HEAVY PRECAST LIMITED**

DUNDAS, ONTARIO

905-628-5611

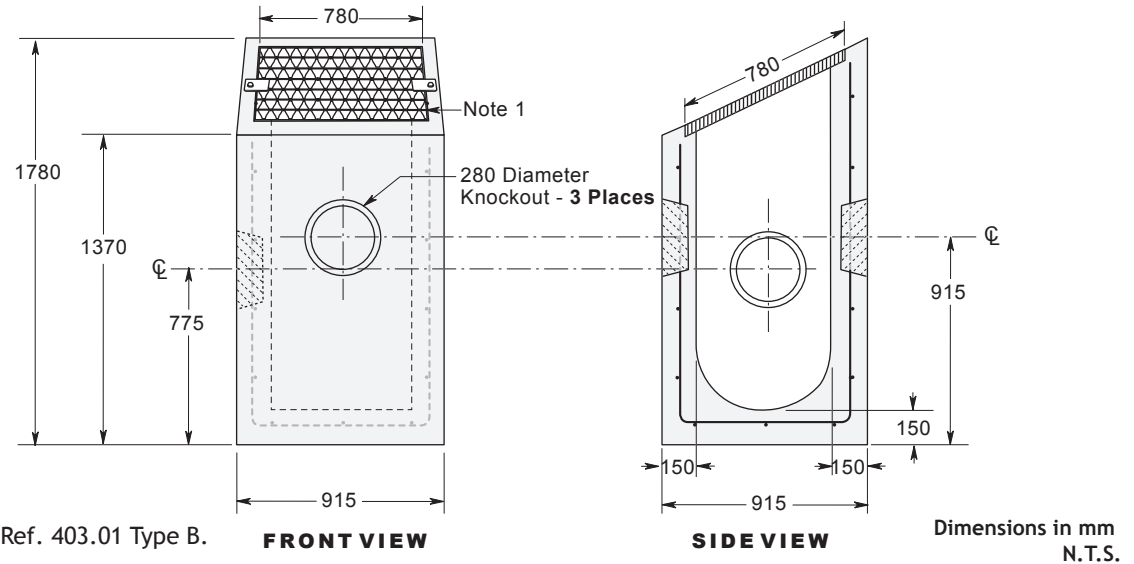
www.wilkinsonheavyprecast.com

**CONSTRUCTION DETAILS**

**Concrete:** 35 MPa at 28 Days, 5 to 8% Air Entrainment.

**Reinforcing:** 10 M bars, cross-sectional area of steel greater than 185 mm<sup>2</sup>/ M each way.

**Weight:** 2125 kg



**NOTES:**

1. Available with hot dipped galvanized grate and fasteners - O.P.S.D. Ref. 403.01 Type B.

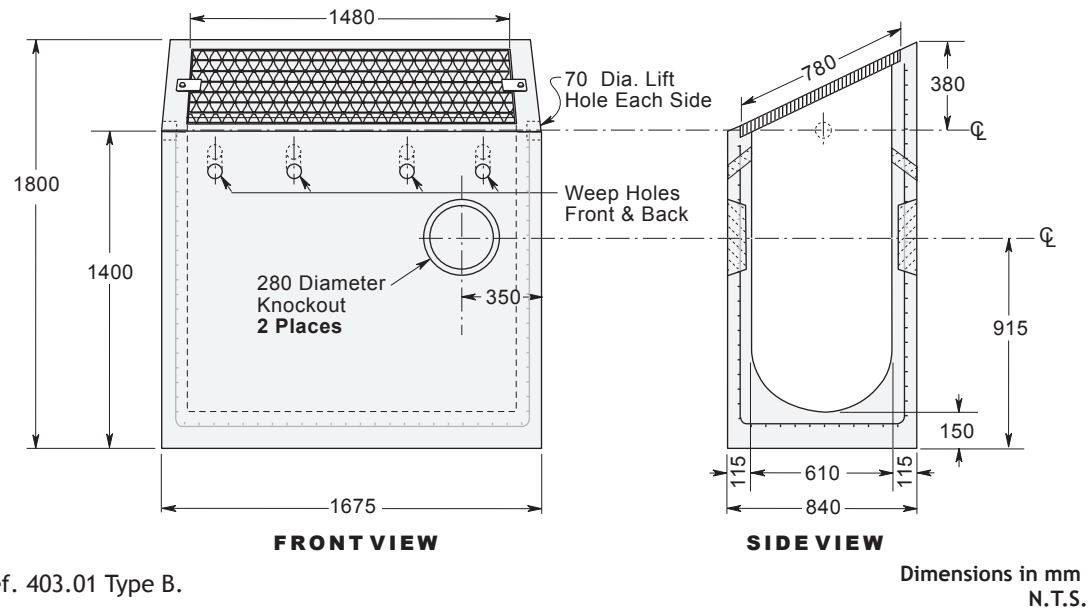
**PRECAST DITCH INLET CATCH BASIN (Double) O.P.S.D. Ref. 705.03**

**CONSTRUCTION DETAILS**

**Concrete:** 35 MPa at 28 Days, 5 to 8% Air Entrainment.

**Reinforcing:** 4 x 4 6/6 ww mesh in walls and floor.

**Weight:** 2600 kg



**NOTES:**

1. Available with hot dipped galvanized grate and fasteners - O.P.S.D. Ref. 403.01 Type B.