

CAST IRON FRAMES & COVERS

WILKINSON HEAVY PRECAST LIMITED

DUNDAS, ONTARIO

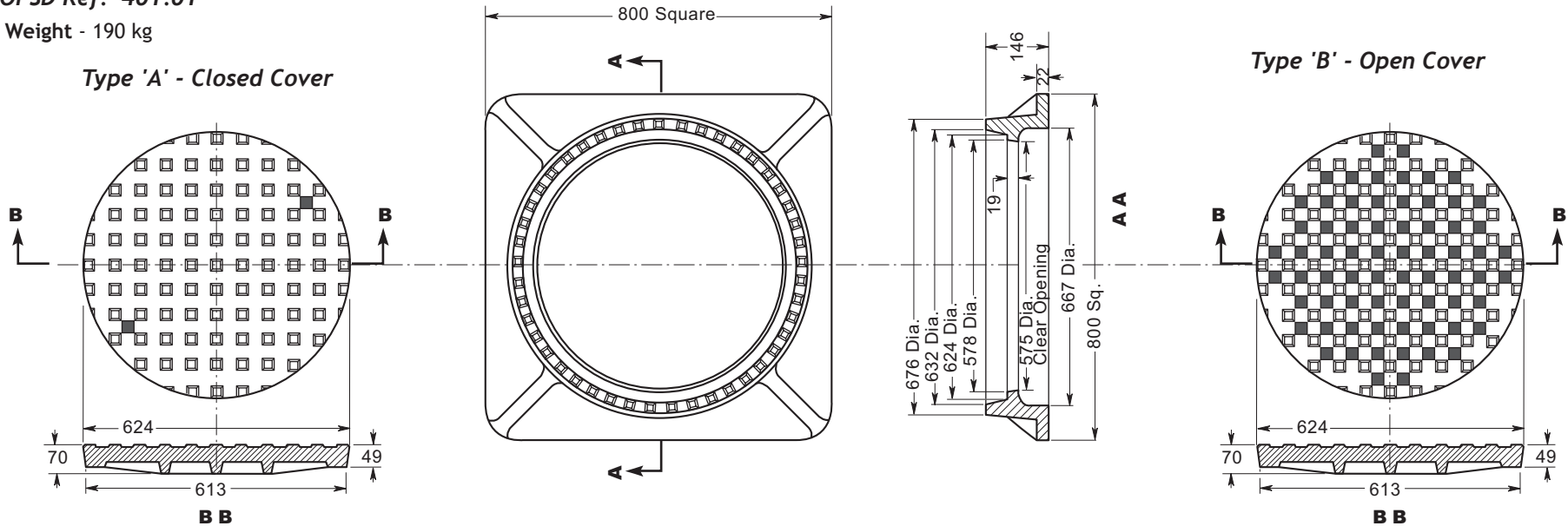
905-628-5611

www.wilkinsonheavyprecast.com

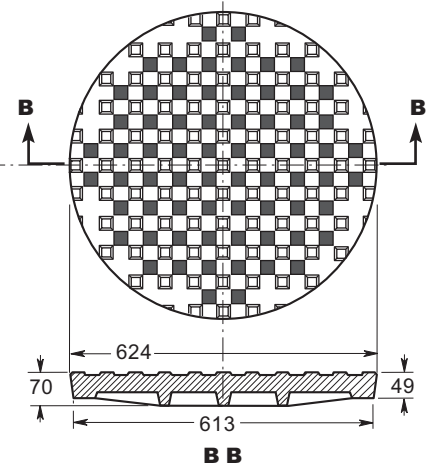
OPSD Ref. 401.01

Weight - 190 kg

Type 'A' - Closed Cover



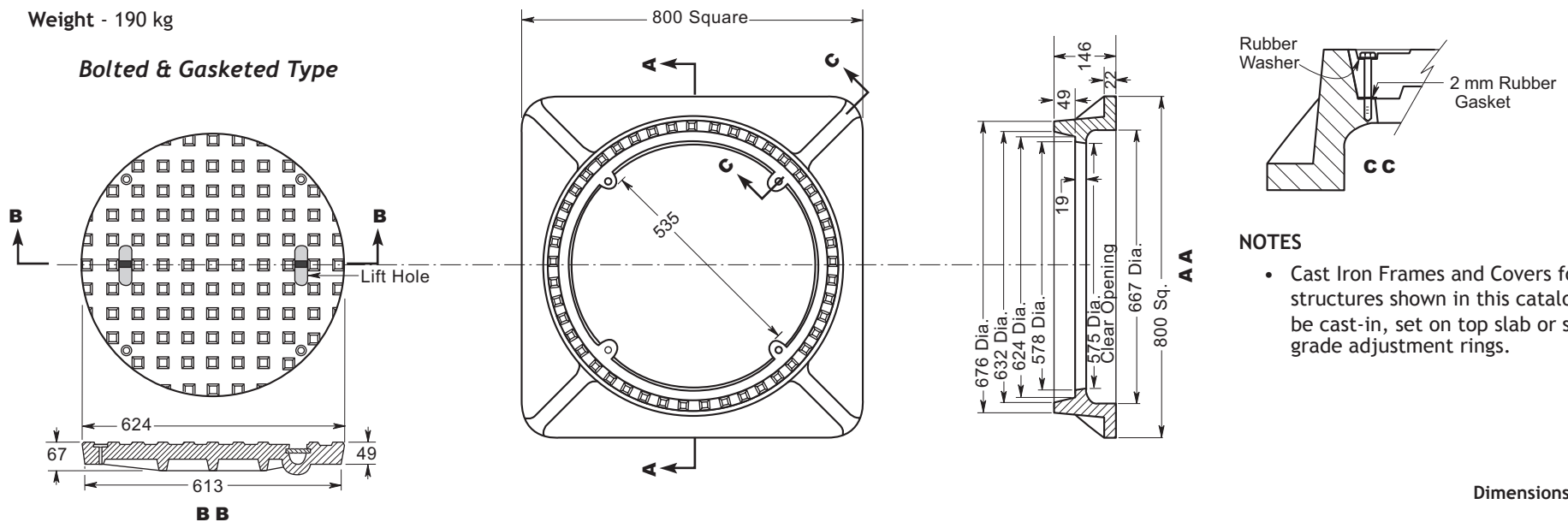
Type 'B' - Open Cover



OPSD Ref. 401.03

Weight - 190 kg

Bolted & Gasketed Type



NOTES

- Cast Iron Frames and Covers for various structures shown in this catalogue can be cast-in, set on top slab or set on grade adjustment rings.

Dimensions in mm
N.T.S.