

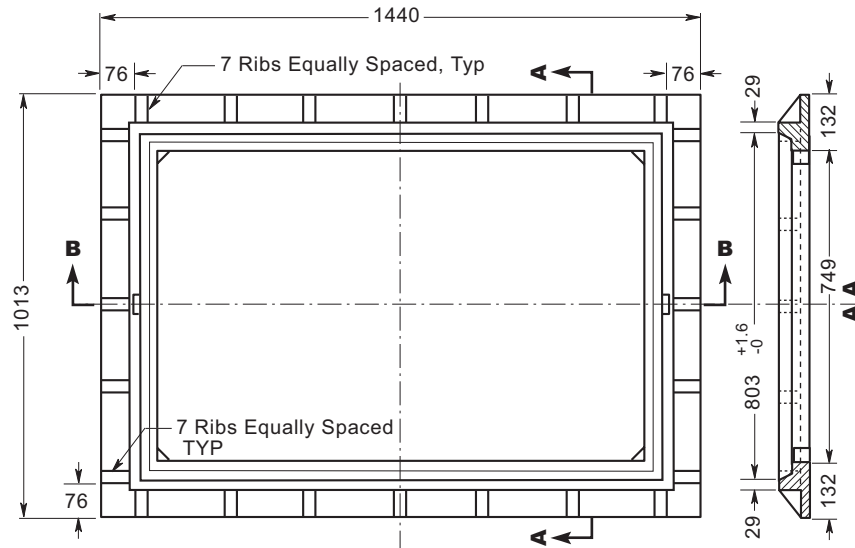
RECTANGULAR FRAME & TWO PIECE COVER OPSD - 402.03

WILKINSON HEAVY PRECAST LIMITED

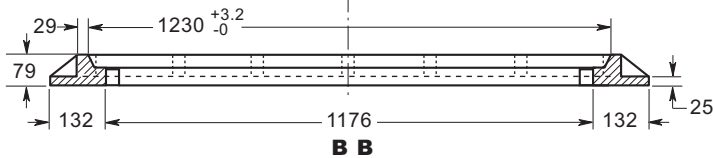
DUNDAS, ONTARIO

905-628-5611

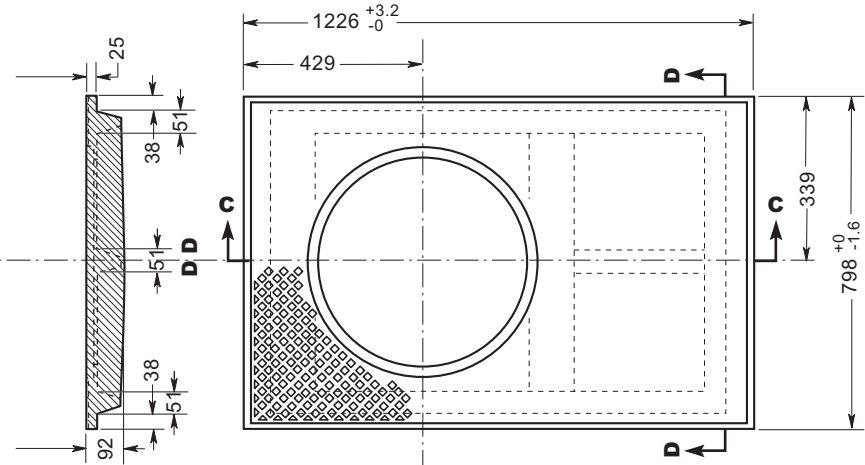
www.wilkinsonheavyprecast.com



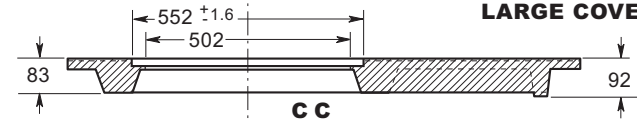
FRAME PLAN



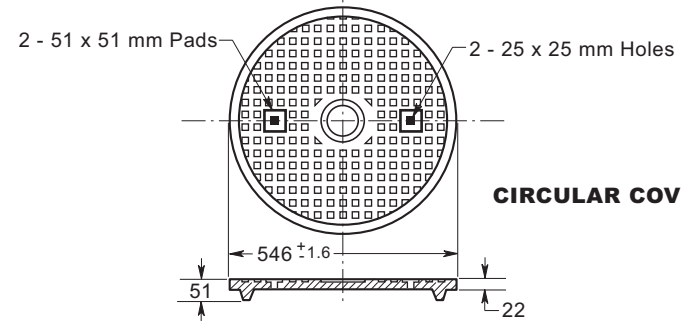
B B



LARGE COVER PLAN



C C



CIRCULAR COVER

Dimensions in mm
N.T.S.