

DISTRIBUTION BOX MODEL DB150

WILKINSON HEAVY PRECAST LIMITED

DUNDAS, ONTARIO

905-628-5611

6 OUTLETS

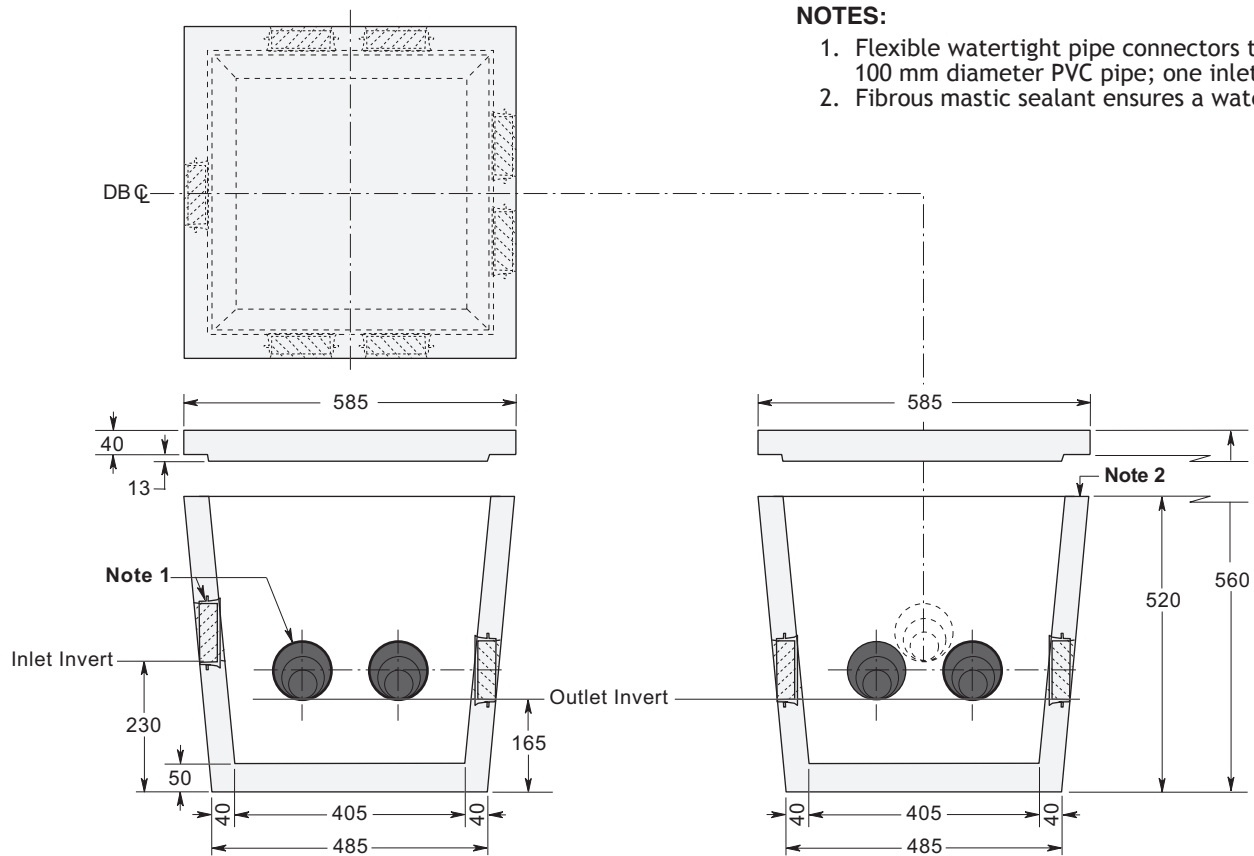
CONSTRUCTION DETAILS

Concrete: 35 MPa at 28 Days, 5 to 8% Air Entrainment.

Weight: 190 kg

C
A
T
A
L
O
G
U
E

2
0
0
6



NOTES:

1. Flexible watertight pipe connectors to accommodate 100 mm diameter PVC pipe; one inlet, six outlets.
2. Fibrous mastic sealant ensures a watertight seal.

Dimensions in mm
N.T.S.