

# 11,200 LITRE PRECAST WASTEWATER HOLDING TANK MODEL H11.2L

**WILKINSON HEAVY PRECAST LIMITED**

DUNDAS, ONTARIO

905-628-5611

www.wilkinsonheavyprecast.com

## LOW PROFILE

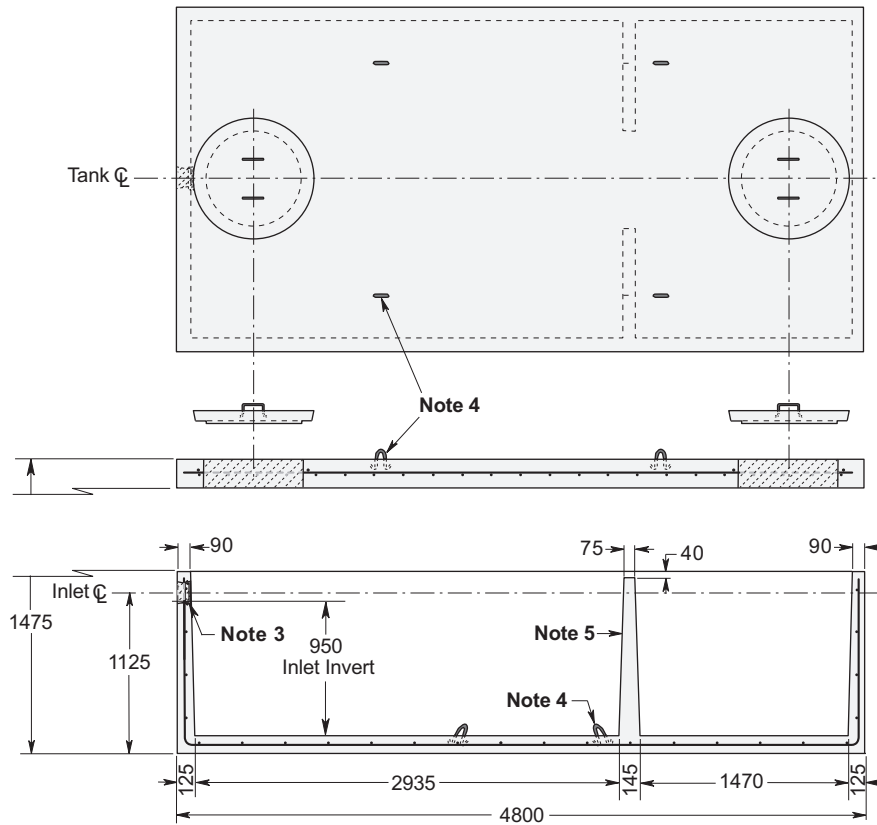
### CONSTRUCTION DETAILS \*

**Concrete:** 35 MPa at 28 Days, 5 to 8% Air Entrainment.

**Reinforcing:** 10 M bars at 300 mm centres each way in walls and floor.  
 10 M bars at 200 mm centres each way in top slab.  
 Four extra 15 M bars around roof access opening.  
 Minimum cover over reinforcing steel - 25 mm.

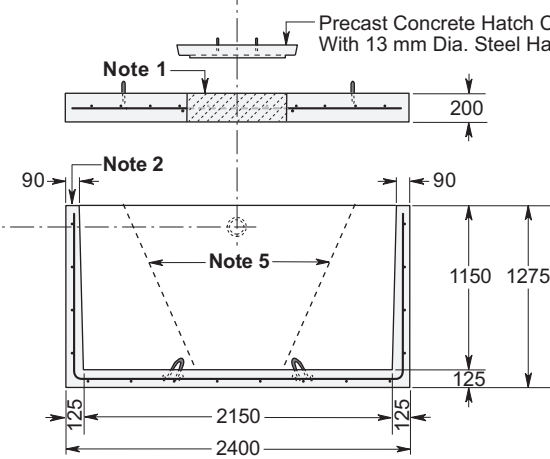
**Weight:** Top Slab 5620 kg  
 Tank Section 8100 kg  
 Total 13,720 kg

**Actual Capacity:** 9778 Litres Per Vertical Metre.  
 11,245 Litres to Underside of Roof Slab.



### NOTES

1. Large 685 mm diameter roof access openings facilitate tank maintenance. Unless otherwise specified/ordered this tank will be shipped with 840 mm diameter concrete hatch covers. Please note that each cover weighs approximately 125 kg and must be handled only with suitable mechanical lifting equipment. Please see Access Riser section for available options.
2. Fibrous mastic sealant ensures a water-tight seal.
3. Flexible watertight inlet pipe connector in each end wall accommodates 100 mm diameter PVC pipe.
4. Top slab/tank section lifting points four places.
5. Knee wall each side of bottom section is cast monolithically with the walls and horizontal slab.



Precast Concrete Hatch Cover  
 With 13 mm Dia. Steel Handles 2 Places

Dimensions in mm  
 N.T.S.

\* Commensurate with a 1 Metre burial over the top slab in firm soil under an area of vehicular traffic.

For recommended installation procedures refer to Wilkinson Installation Guidelines.