

**22,600 LITRE PRECAST WASTEWATER HOLDING TANK MODEL H22.6L**

**WILKINSON HEAVY PRECAST LIMITED**

DUNDAS, ONTARIO

905-628-5611

www.wilkinsonheavyprecast.com

**LOW PROFILE**

**CONSTRUCTION DETAILS \***

**Concrete:** 35 MPa at 28 Days, 5 to 8% Air Entrainment.

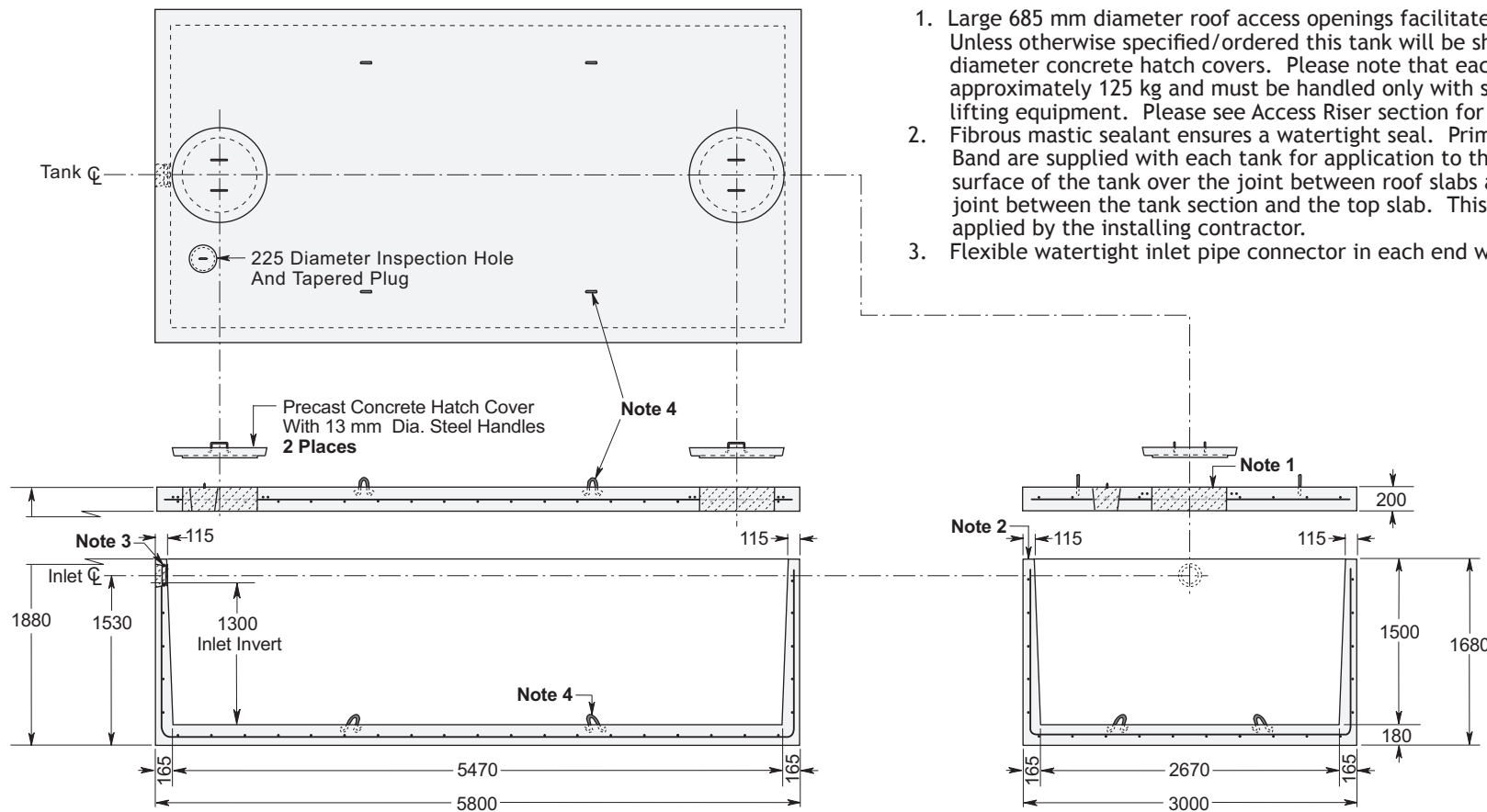
**Reinforcing:** 15 M bars at 250 mm centres each way in walls and floor.  
15 M bars at 200 mm centres each way in top slab.  
Eight extra 15 M bars around each roof access opening.  
Minimum cover over reinforcing steel - 25 mm.

**Weight:** Top Slab 8500 kg  
Tank Section 16,500 kg  
Total 25,000 kg

**Actual Capacity:** 15,068 Litres Per Vertical Metre.  
22,602 Litres to Underside of Roof.

**NOTES**

1. Large 685 mm diameter roof access openings facilitate tank maintenance. Unless otherwise specified/ordered this tank will be shipped with 840 mm diameter concrete hatch covers. Please note that each cover weighs approximately 125 kg and must be handled only with suitable mechanical lifting equipment. Please see Access Riser section for available options.
2. Fibrous mastic sealant ensures a watertight seal. Primer and Mastic Band are supplied with each tank for application to the external surface of the tank over the joint between roof slabs as well as the joint between the tank section and the top slab. This band is to be applied by the installing contractor.
3. Flexible watertight inlet pipe connector in each end wall accommodates



Dimensions in mm  
N.T.S.

\* Commensurate with a 1.2 Metre burial over the top slab in firm soil away from any area of vehicular traffic. Please consult with the factory before specifying this tank for use in an area of heavy loading.

For recommended installation procedures refer to Wilkinson Installation Guidelines and Lifting & Assembly Instructions.