

PRECAST 5.5 x 2.7 METRE RECTANGULAR MANHOLE

WILKINSON HEAVY PRECAST LIMITED

DUNDAS, ONTARIO

905-628-5611

www.wilkinsonheavyprecast.com

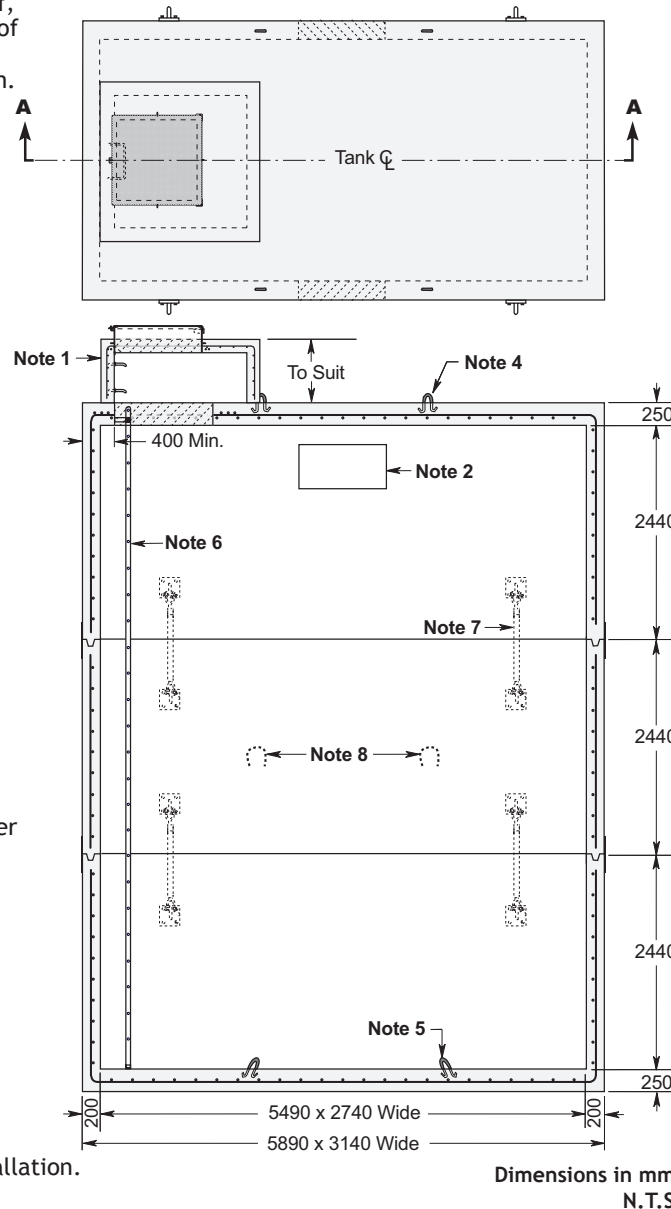
CONSTRUCTION DETAILS

Concrete: 35 MPa at 28 Days, 5 to 8% Air Entrainment. Precast concrete materials and construction conforms with CSA A23.4-00

Reinforcing: * 15 M bars at 150 mm centres each way in roof, walls and floor. 12 extra 15 M Bars around roof access opening.
Minimum cover over reinforcing steel - 25 mm.

Weight: Top Section 33,000 kg
Riser Section 20,500 kg
Bottom Section 33,000 kg

Calculation for Pump Chamber Capacity: 15,040 Litres/Vertical Metre



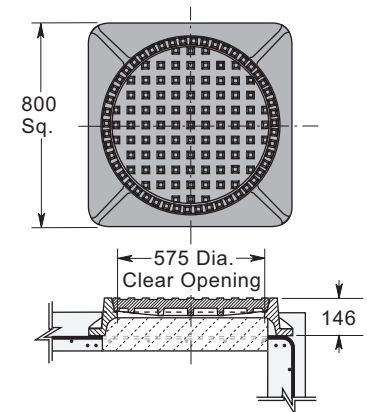
NOTES

1. Typical 1.5 M square Access Riser, with galvanized steel or aluminum hinged drip proof cover. Many other types of access risers and hatch covers are available.
2. Number, size and positioning of wall penetrations to customer's specification.
3. Available in 2.4 metre heights.
4. Top section lifting points four places.
5. Bottom section lifting points four places.
6. Aluminum or galvanized steel ladder (Optional) supplied loose for installation by contractor.
7. Mechanical connections between sections; four places per section. (Optional)
8. Lifting points in walls four places.

* Reinforcing detail can be customized to suit conditions of installation.

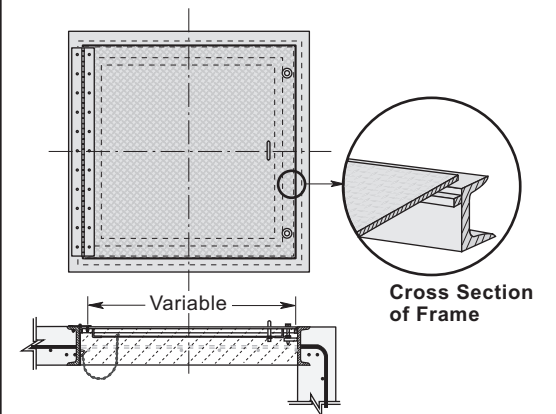
OPTIONAL COVERS

STANDARD CAST IRON FRAME and COVER
OPSD Ref. 401.01
Shown Cast Into Top Slab



Also Available:
Bolted and Gasketed Frame and Cover
OPSD Ref. 401.03 and Locking Cover
OPSD Ref. 401.06

FLUSH TYPE FRAME and COVER
Shown Cast Into Top Slab



Available in Galvanized Steel, Stainless Steel or Aluminum