

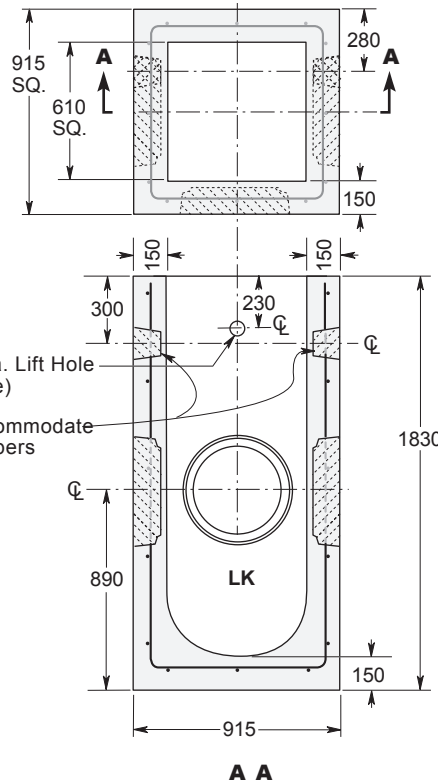
PRECAST CATCH BASIN 150 mm Wall - 610 mm Square

CONSTRUCTION DETAILS

Concrete: 35 MPa at 28 Days, 5 to 8% Air Entrainment.

Reinforcing: 10 M bars, cross-sectional area of steel greater than 185 mm²/ M each way.

Weight: 2300 kg



65 mm Dia. Lift Hole (Each Side)
Knockouts To Accommodate 100 mm Dia. Weepers 2 Places

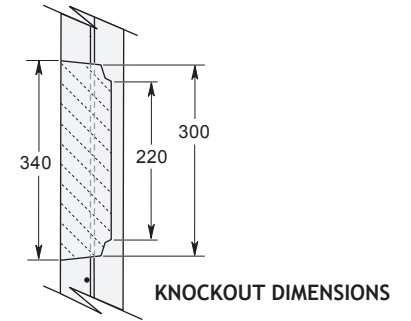
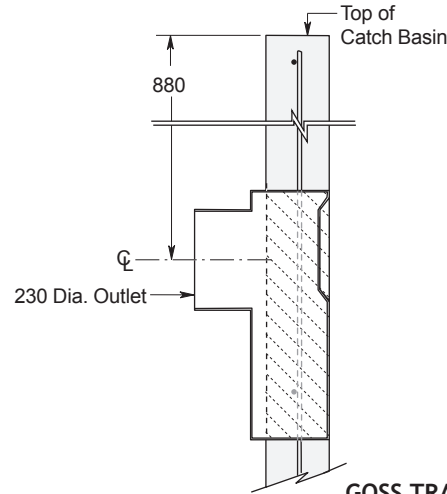
Dimensions in mm
N.T.S.

WILKINSON HEAVY PRECAST LIMITED

DUNDAS, ONTARIO

905-628-5611

www.wilkinsonheavyprecast.com



GOSS TRAP (Polyethylene)

Goss traps are available cast into 1.6 and 1.8 metre Catch Basins.

GOSS TRAP

Prevents Sewer Odours Coming Back Through The Catch Basin

