

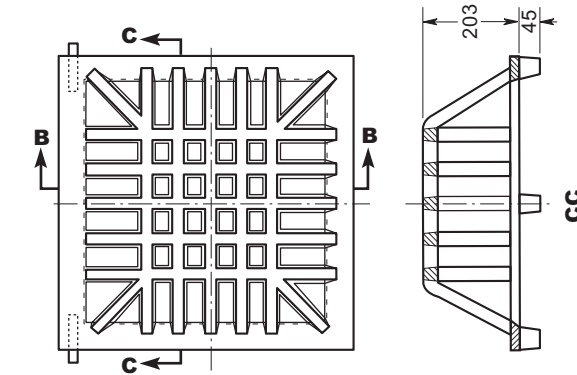
CATCH BASIN FRAMES & COVERS

WILKINSON HEAVY PRECAST LIMITED

DUNDAS, ONTARIO

905-628-5611

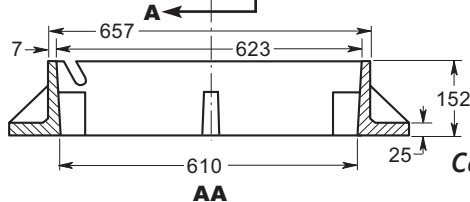
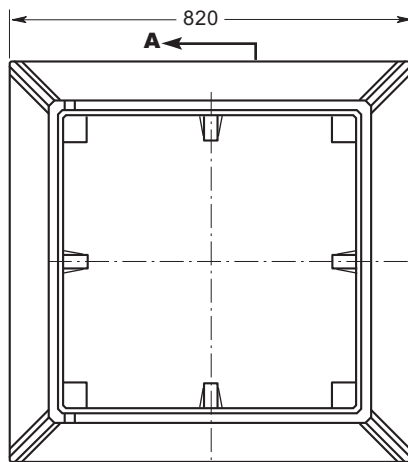
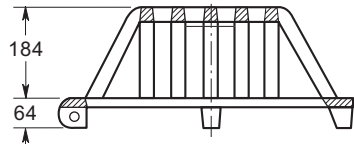
www.wilkinsonheavyprecast.com



Birdcage Grate

- For use on 600 mm square catch basins
- Heavy construction bar design.
- Grating can be hinged open for maintenance.

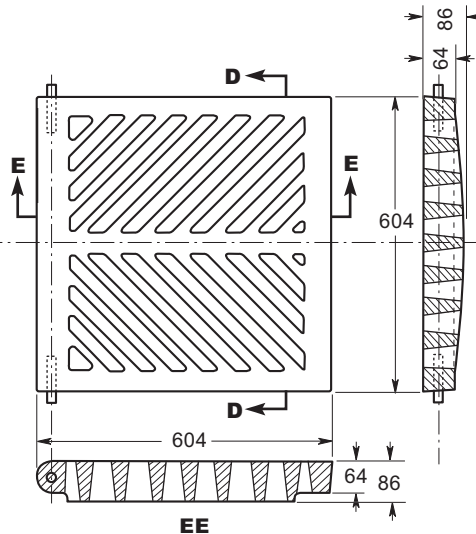
Weight - 100 kg



Cast Iron Frame - Suits 600 x 600 Catch Basin

- For use with either Birdcage or Flat Grate.

Weight - 100 kg



DD

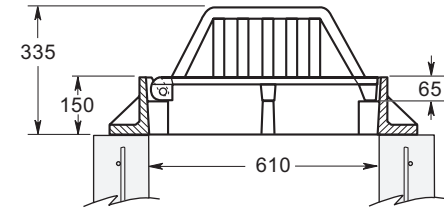
Standard Flat Grate

- 25 mm diagonal openings are 'Bicycle - Proof'

Weight - 125 kg

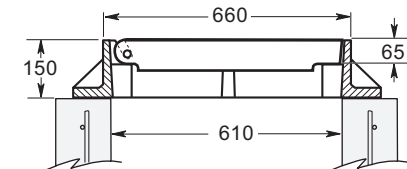
Cast Iron Birdcage Grate & Frame

OPSD Ref. 400.12



Cast Iron Flat Grate & Frame

OPSD Ref. 400.02



Shown set on a 610 mm square Catch Basin or Catch Basin Grade Ring

Dimensions in mm
N.T.S.