

**CAST IRON LOCKING COVER & FRAME**

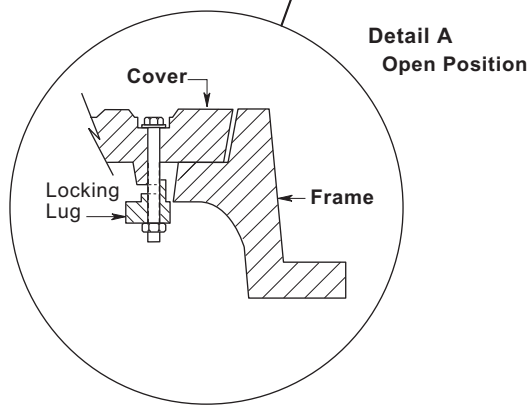
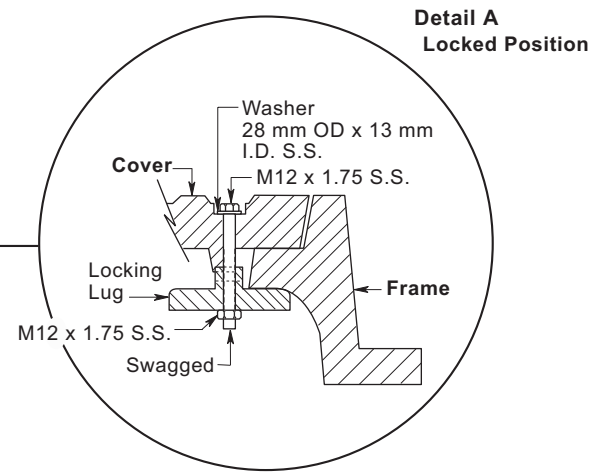
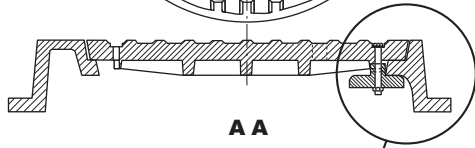
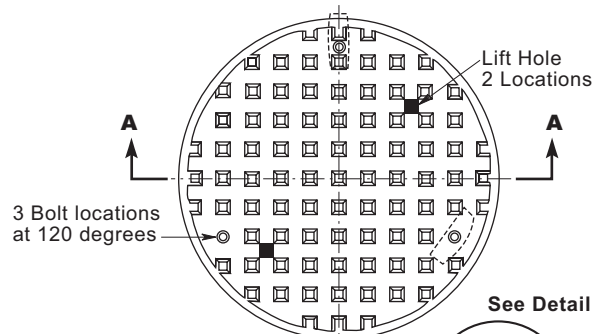
**WILKINSON HEAVY PRECAST LIMITED**

DUNDAS, ONTARIO

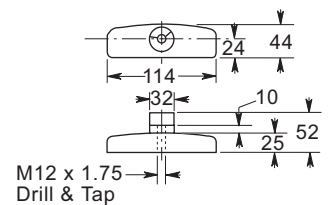
905-628-5611

www.wilkinsonheavyprecast.com

OPSD Ref. 401.06  
Weight -190 kg



**Locking Lug**



**Isometric View of  
Locking Lug**

