

50,000 LITRE PRECAST CONCRETE WATER HOLDING TANK MODEL H50H

WILKINSON HEAVY PRECAST LIMITED

DUNDAS, ONTARIO

1-800-263-8503

CLASS H - HEAVY CONSTRUCTION

CONSTRUCTION DETAILS *

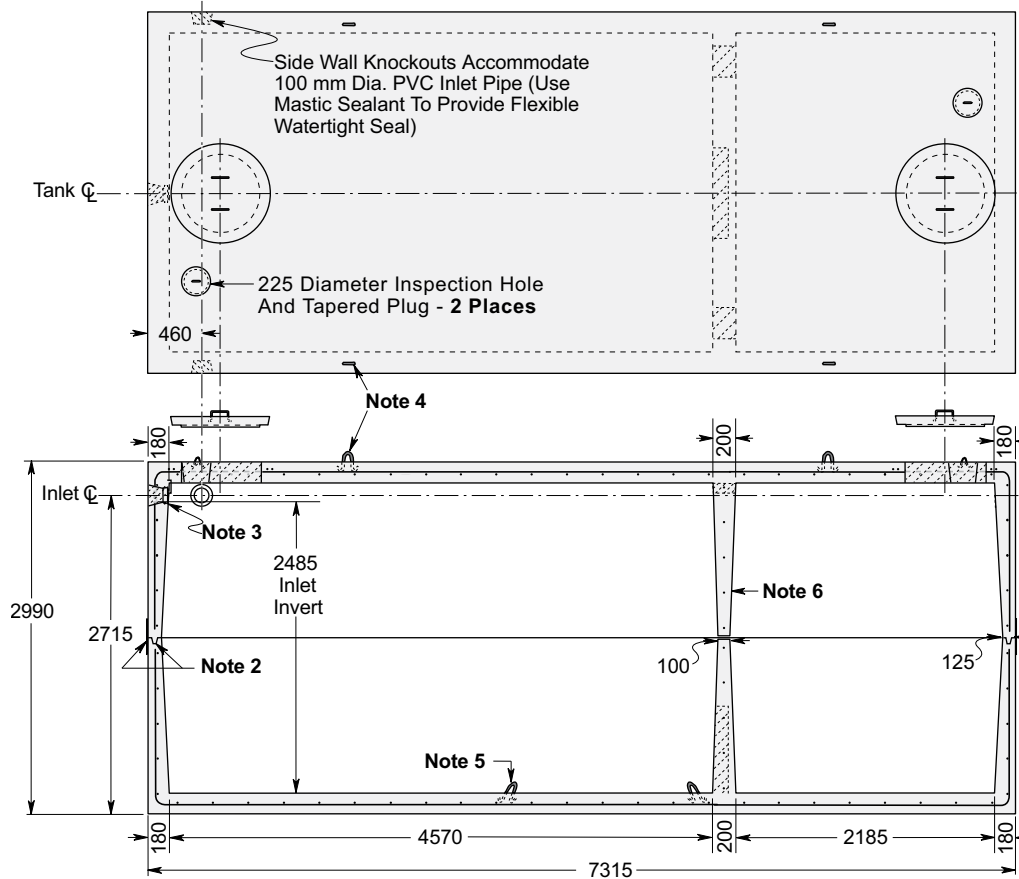
Concrete: 35 MPa at 28 Days, 5 to 8% Air Entrainment.

Reinforcing: 20 M bars at 300 mm centres each way in roof, walls and floor; horizontally in partition.

Eight extra 15 M bars around each roof access opening.
Minimum cover over reinforcing steel - 25 mm.

Weight: Top Section 22,250 kg
Bottom Section 22,250 kg
Total 44,500 kg

Actual Capacity: 18,785 Litres Per Vertical Metre.
49,400 Litres to Underside of Roof Slab.
46,680 Litres to Invert of Inlet.

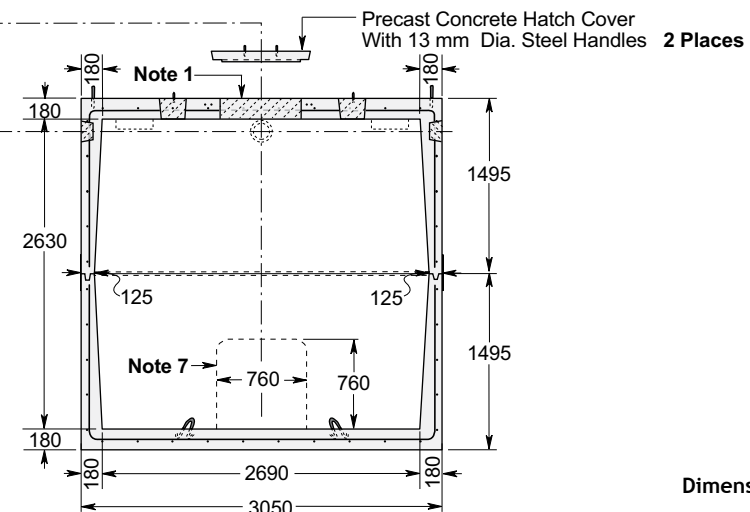


NOTES

1. Large 685 mm diameter roof access openings facilitate tank maintenance. Unless otherwise specified/ordered this tank will be shipped with 840 mm diameter concrete hatch covers. Please note that each cover weighs approximately 125 kg and must be handled only with suitable mechanical lifting equipment. Please see Access Riser section for available options.
2. Close tolerance of tongue and groove joint and fibrous mastic sealant ensures a solid structural and watertight seal. Primer and Mastic Band are supplied with each tank for application to the external surface of the tank over the joint between sections. This band is to be applied by the installing contractor.
3. Flexible watertight inlet pipe connector to accommodate 100 mm diameter PVC pipe. Size and position of inlet void can be modified at customer's request.
4. Top section lifting points four places.
5. Bottom section lifting points four places.
6. The partition is cast monolithically with the walls and horizontal slab of each section.
7. 760 x 760 mm partition knockout may be removed to allow access between chambers.

This Tank Is Available With:

- Aluminum ladder rungs to the floor. Consult with the factory as to how this will affect the size and location of the access opening.
- Mechanical connection of the tank sections to enhance water tightness and resistance to frost heave.



Dimensions in mm
N.T.S.

For recommended installation procedures refer to Wilkinson

*Product designed for a Maximum 1.8 Metre burial over the top slab in firm soil under an area of passenger vehicle parking.

WARNING! IMPROPER INSTALLATION ESPECIALLY IN UNSTABLE SOIL CAN RESULT IN THE STRUCTURAL FAILURE OF THIS PRODUCT

June 21, 2016