

## TYPICAL PRECAST FIRE WATER RESERVOIR

WILKINSON HEAVY PRECAST LIMITED

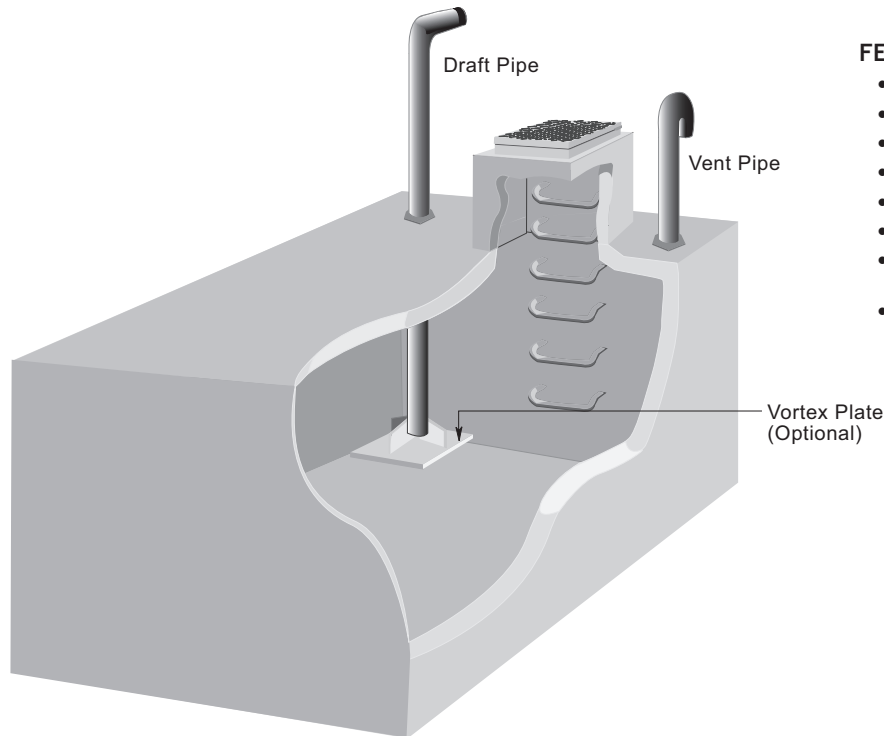
DUNDAS, ONTARIO

905-628-5611

www.wilkinsonheavyprecast.com

### CONSTRUCTION DETAILS

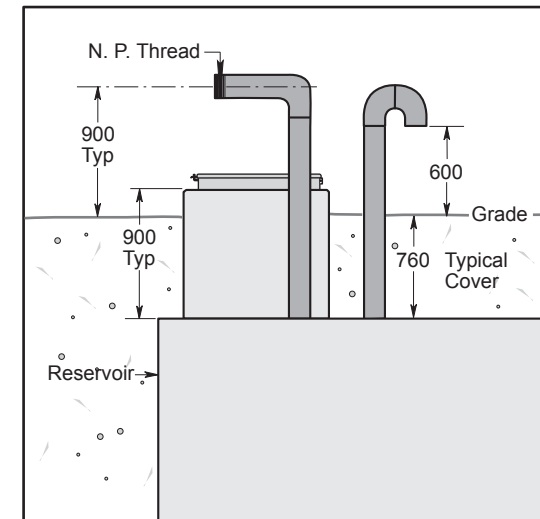
Concrete: 35 MPa at 28 Days, 5 to 8% Air Entrainment.



### FEATURES

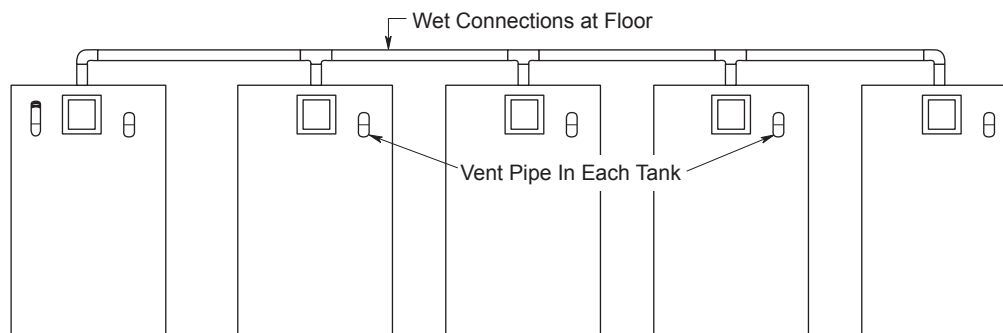
- Draft pipe and vent are steel pipe sized to suit, hot dip galvanized after fabrication.
- Vent pipe incorporates a stainless steel insect screen.
- Precast concrete access riser with frame and hinged, drip proof and lockable cover.
- Aluminum ladder rungs to the floor.
- Draft pipe draws from 75 mm above tank floor.
- Typical tank capacities from 25,000 to 114,000 Litres.
- For more capacity special fittings can be provided to connect any number of tanks in series.
- Contact the factory for optional cross connection and ventilation configurations.

### TYPICAL APPURTENANCE DETAILS



Dimensions in mm  
N.T.S.

### TYPICAL SERIES CONNECTION



**WARNING ! IMPROPER INSTALLATION ESPECIALLY IN UNSTABLE SOILS CAN RESULT IN THE STRUCTURAL FAILURE OF THIS PRODUCT**