

25,000 LITRE PRECAST CONCRETE WATER HOLDING TANK MODEL H25.1L

WILKINSON HEAVY PRECAST LIMITED

DUNDAS, ONTARIO

1-800-263-8503

LOW PROFILE

CONSTRUCTION DETAILS *

Concrete: 35 MPa at 28 Days, 5 to 8% Air Entrainment.

Reinforcing: 15 M bars at 250 mm centres each way in walls and floor.

2 Mats of Bars in top slab.

Top Mat - Six 20 M bars evenly spaced (Long Direction)

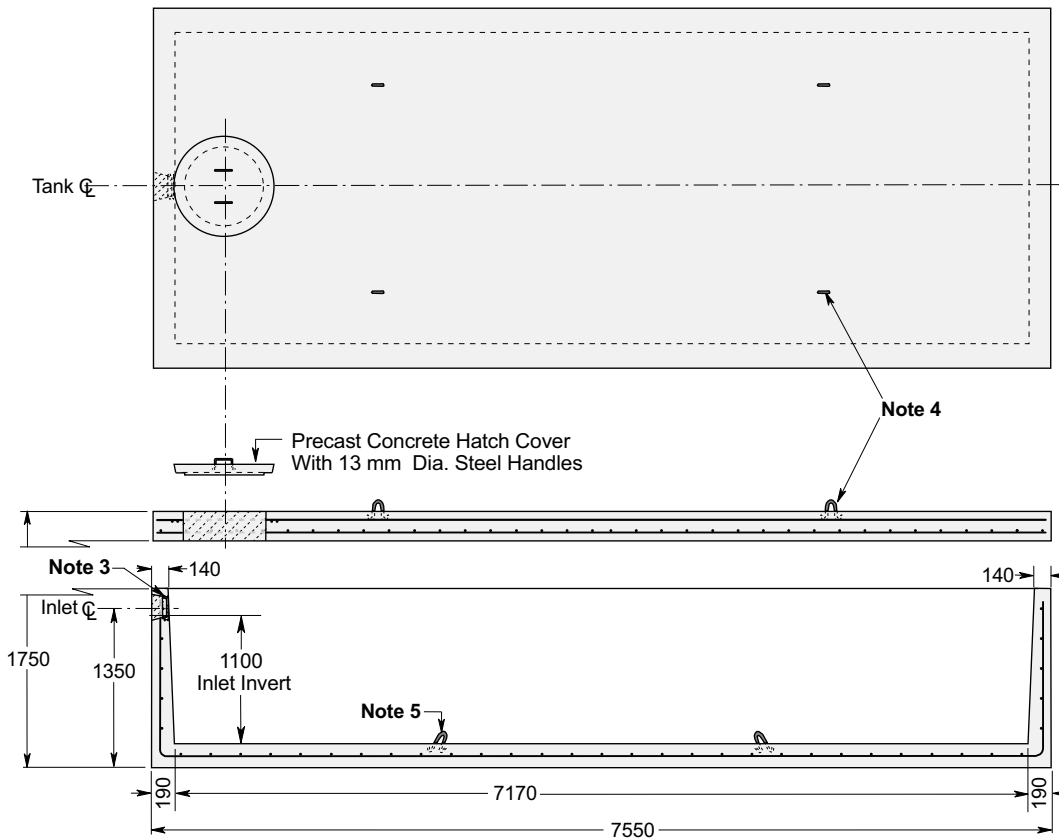
Bottom Mat - 15 M bars at 200 mm centres each way.

Eight extra 15 M bars around roof access opening.

Minimum cover over reinforcing steel - 25 mm.

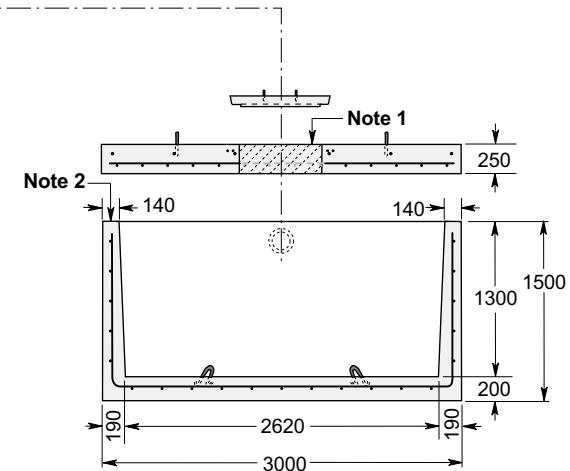
Weight: Top Slab 14,060 kg
Tank Section 22,000 kg
Total 36,060 kg

Actual Capacity: 19,277 Litres Per Vertical Metre.
25,060 Litres to Underside of Roof.



NOTES

1. Large 685 mm diameter roof access opening facilitate tank maintenance. Unless otherwise specified/ordered this tank will be shipped with a 840 mm diameter concrete hatch cover. Please note that the cover weighs approximately 125 kg and must be handled only with suitable mechanical lifting equipment. Please see section for available options.
2. Fibrous mastic sealant ensures a watertight seal. Primer and Mastic Band are supplied for application to the external surface of the tank over the joint between the tank section and the top slab. This band is to be applied by the installing contractor.
3. Flexible watertight inlet pipe connector in end wall accommodates 100 mm diameter PVC pipe.
4. Top slab lifting points four places.
5. Tank section lifting points four places.



Dimensions in mm
N.T.S.

*Product designed for a Maximum 1.2 Metre burial over the top slab in firm soil away from any area of vehicular traffic.

For recommended installation procedures refer to Wilkinson