

3300 LITRE PRECAST CONCRETE WATER HOLDING TANK MODEL H3.3L

WILKINSON HEAVY PRECAST LIMITED

DUNDAS, ONTARIO

1-800-263-8503

LOW PROFILE

CONSTRUCTION DETAILS *

Concrete: 35 MPa at 28 Days, 5 to 8% Air Entrainment.

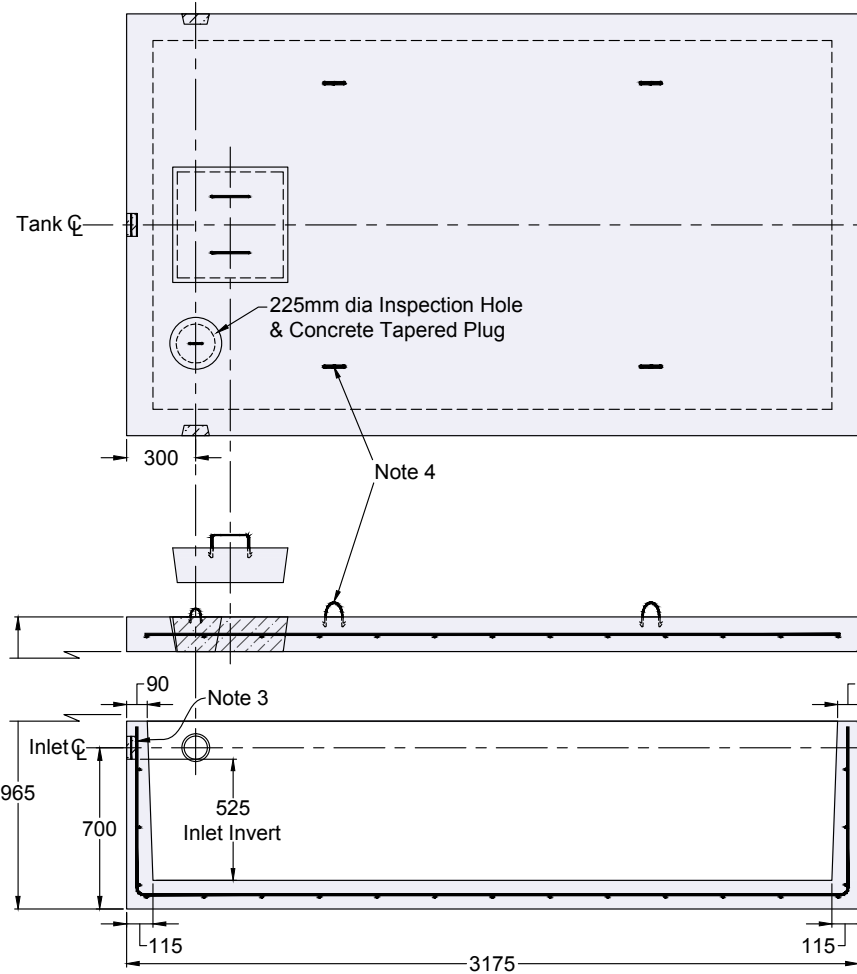
Reinforcing: 4 x 4 6/6 ww mesh in walls.
 10 M bars at 250 mm centres each way in top slab and floor.
 Four extra 15 M bars around each roof access opening.
 Minimum cover over reinforcing steel - 25 mm.

Weight: Top Slab 2170 kg
 Tank Section 3420 kg
 Total 5590 kg

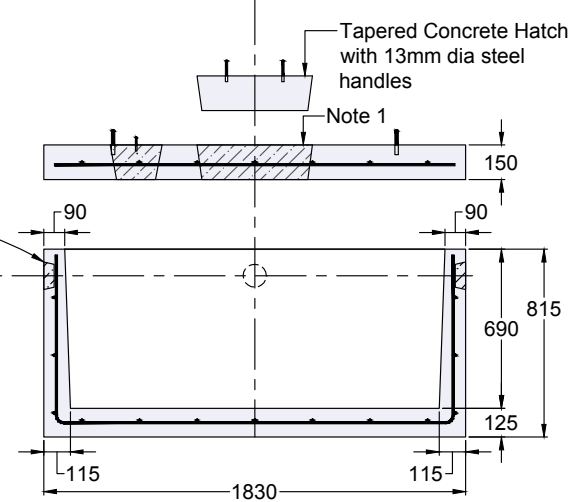
Actual Capacity: 4832 Litres Per Vertical Metre.
 3334 Litres to Underside of Roof Slab.
 2464 Litres to Invert of Inlet.

NOTES

1. Standard access opening is square, has tapered sides and minor opening dimensions of 460 x 460 mm.
2. Fibrous mastic sealant ensures a watertight seal.
3. Flexible watertight inlet pipe connector to accommodate 100 mm diameter PVC pipe.
4. Top slab lifting points four places.



Side Wall Concrete Knockouts suitable for 100mm dia PVC pipe (2 places)



Dimensions in mm
 N.T.S.

*Product designed for a Maximum 1 Metre burial over the top slab in firm soil away from any area of vehicular traffic.

For recommended installation procedures refer to Wilkinson